

# Power Arms

PA1300 (310mm), PA1500 (510mm), PA1800 (810mm)

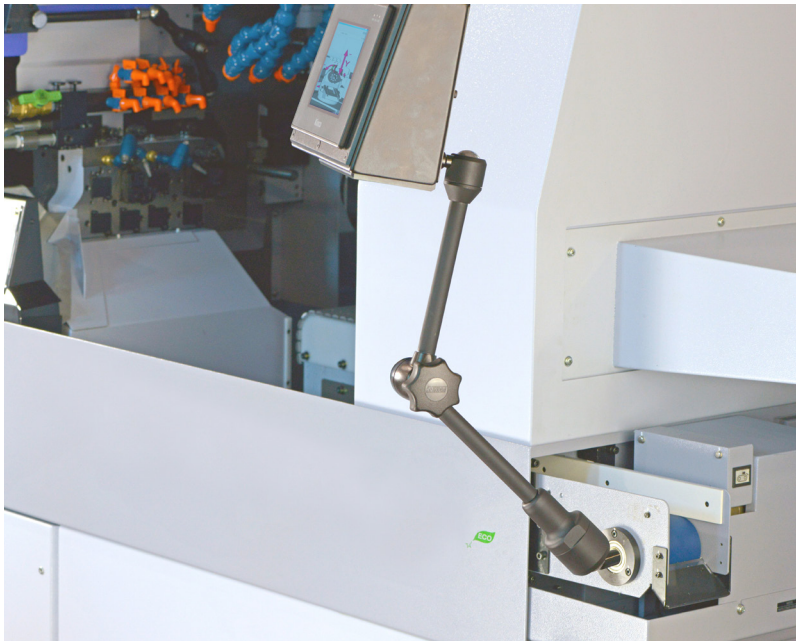
Noga unveils its state of the art Hybrid articulated arms. They are stronger, bigger, longer and outperform all other three-jointed articulating arms in the industry.

They can hold heavy components and other production accessories that require extend articulation mounts.

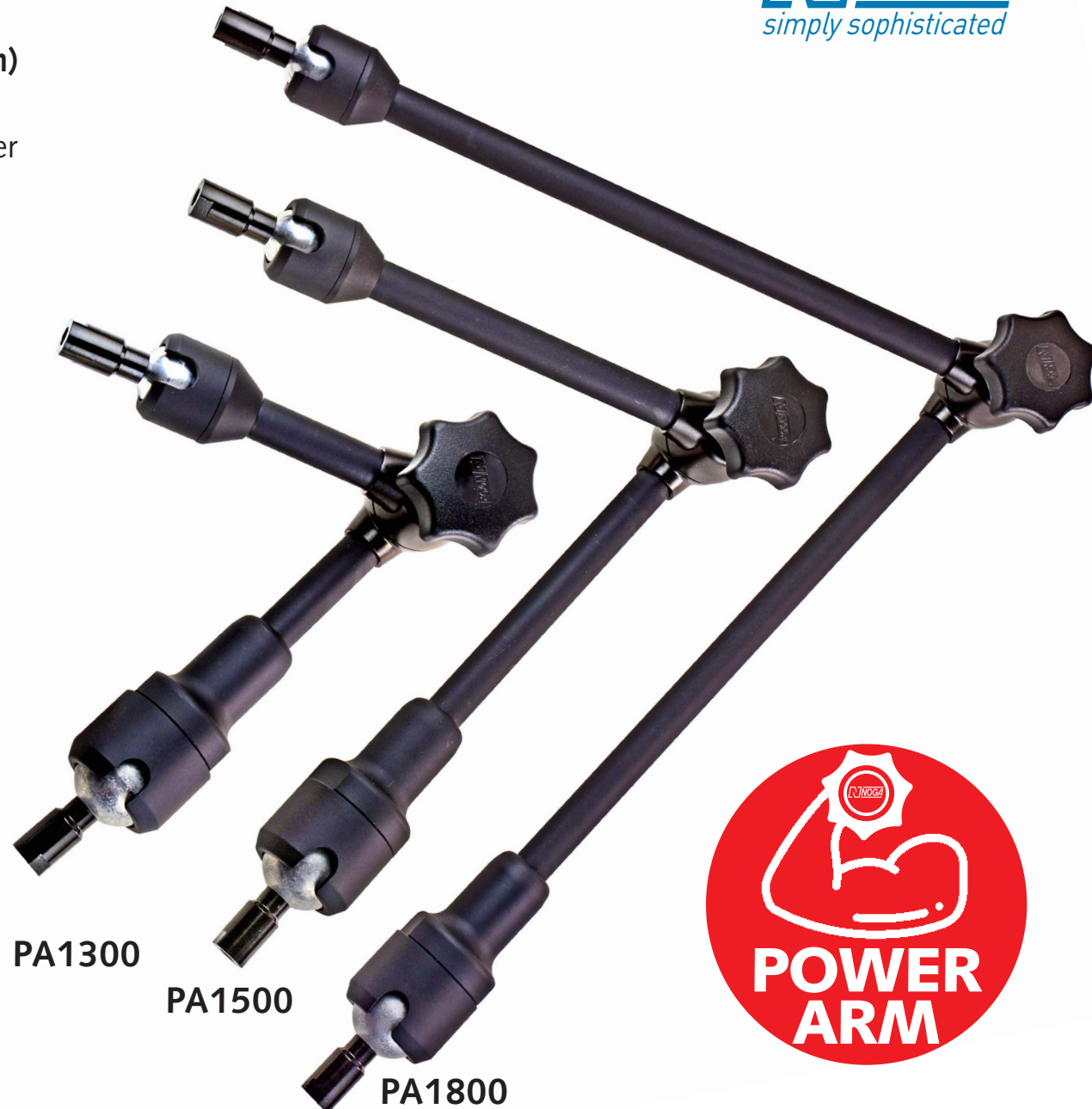
New design combination of mechanical and hydraulic locking system, allowing to hold up to 25Kg.

Central locking system with spring loaded bearings.

Black finish.



**NNOGA**  
*simply sophisticated*



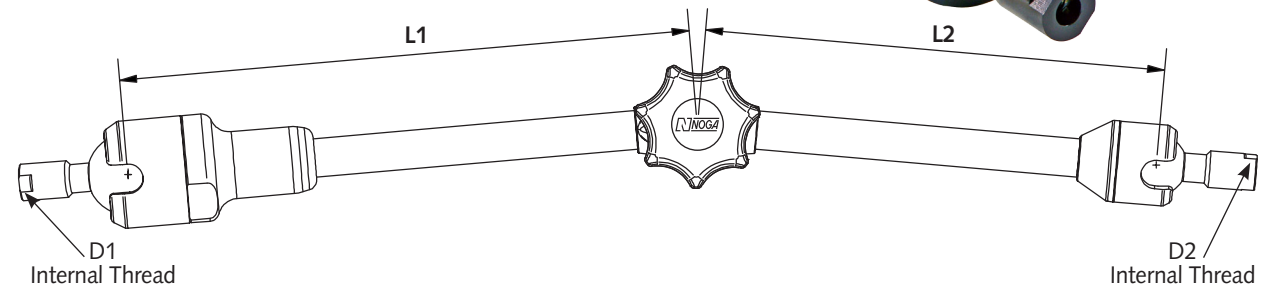
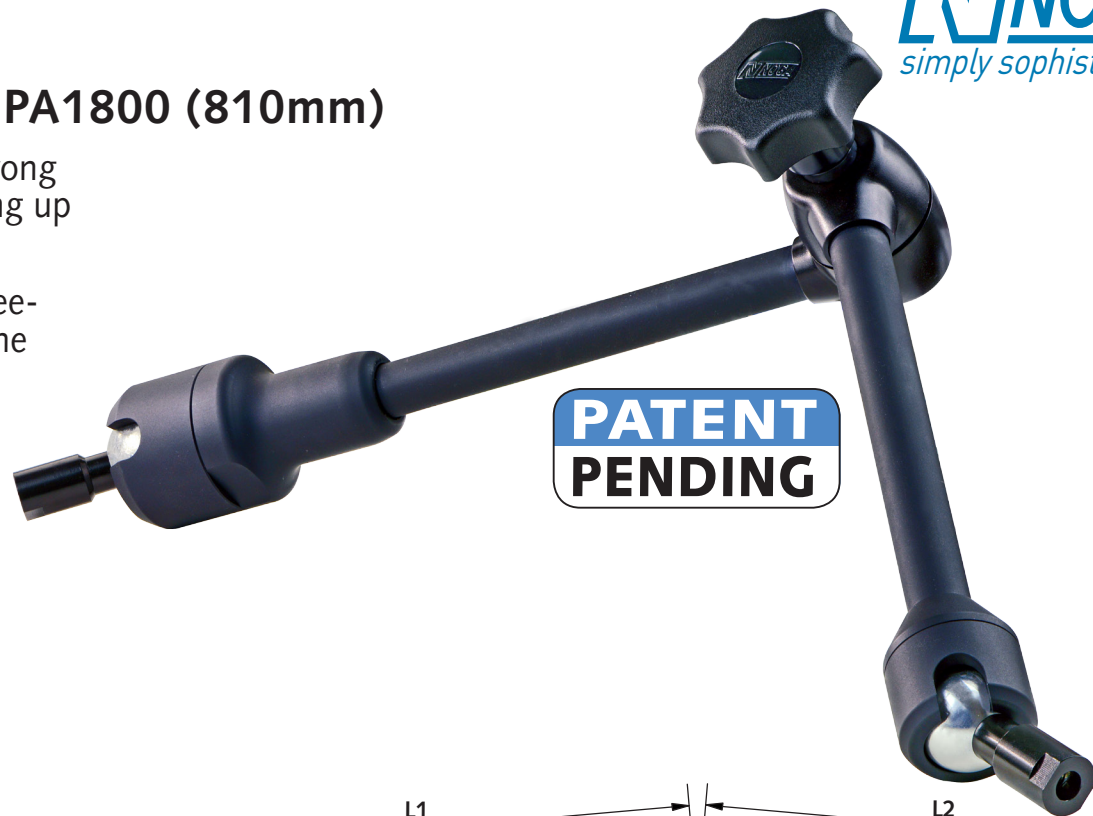
# Power Arms



PA1300 (310mm), PA1500 (510mm), PA1800 (810mm)

Noga Hybrid state-of-the-art articulated arms are so strong and powerful they can hold heavy components weighing up to 25 Kg.

The finely tuned and enormously robust and sturdy three-jointed articulated arm outperforms its competitors in the industry.



ORDER NO.	WEIGHT Kg	INT. THREAD		ARMS LENGTH mm			MAX LOAD Kg
		D1	D2	L1	L2	L1 + L2	
PA1300	1.18	M8 x 1.25	M8 x 1.25	180	130	310	25
PA1500	1.33	M8 x 1.25	M8 x 1.25	280	230	510	15
PA1800	1.54	M8 x 1.25	M8 x 1.25	430	380	810	10

